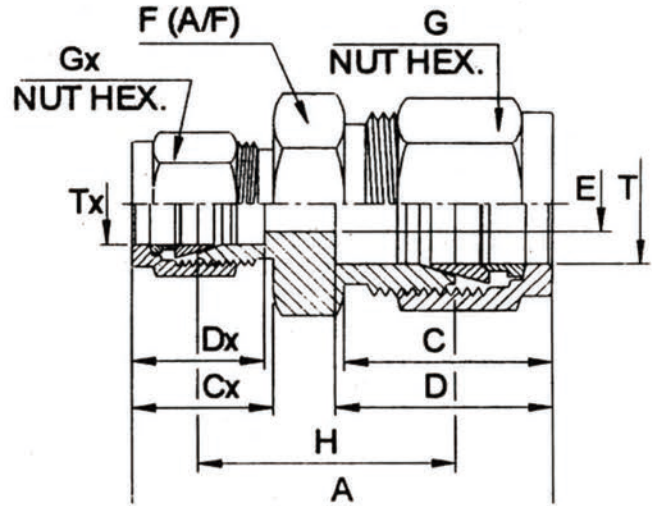


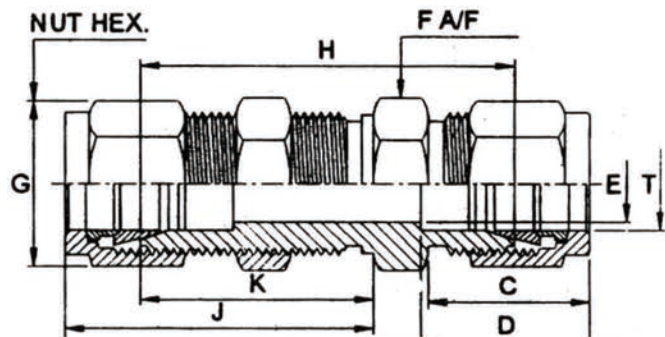


SPUR Reducing Union



Size Tube OD	Part Number	A	G	CX	D	DX	E	F A/F	G Nut	GX Nut	H Body
1/4-1/8	SPEU2	38.6	17.7	15.3	15.3	12.7	2.4	13	14	11	24.6
3/8-1/4	SPEU4	43.2	19.3	17.7	16.8	15.3	4.8	17	17	14	28.5
1/2-1/4	SPEU6	47	22	17.7	23	15.3	4.8	22	22	14	29.4
1/2-3/8	SPEU8	48.5	22	19.3	23	16.8	7.1	22	22	17	30.9
3/4-3/8	SPEU10	51	22	19.3	24.6	16.8	7.1	27	29	17	33.3
1-3/4	SPEU12	60.3	26.5	22	31.2	24.6	15.7	35	38	28.5	38.1

SPBHU Bulk Head Union



TSBHU

Size Tube OD	Part Number	A	G	D	E	F A/F	G A/F	H	J	K	Panel Size
1/8	SPBHU2	52.3	15.3	12.7	2.4	12.7	11	38.1	32	24.6	8.3
1/4	SPBHU4	57.7	17.7	15.3	4.8	16	14	42.8	34	26.2	11.5
3/8	SPBHU6	62.5	19.3	16.8	7	22	17	47.6	37.3	29.5	14.6
1/2	SPBHU8	71	22	23	10.3	24	22	50.8	42	32	19.4
5/8	SPBHU10	72.5	22	24.6	12.7	27	25	52.4	42.9	32.5	22.6
3/4	SPBHU12	79	22	24.6	15.8	32	28.5	58.7	47.6	37.3	25.7
1	SPBHU16	95.8	26.5	31.2	22.2	41	38.1	71.4	57.2	45.2	33.7